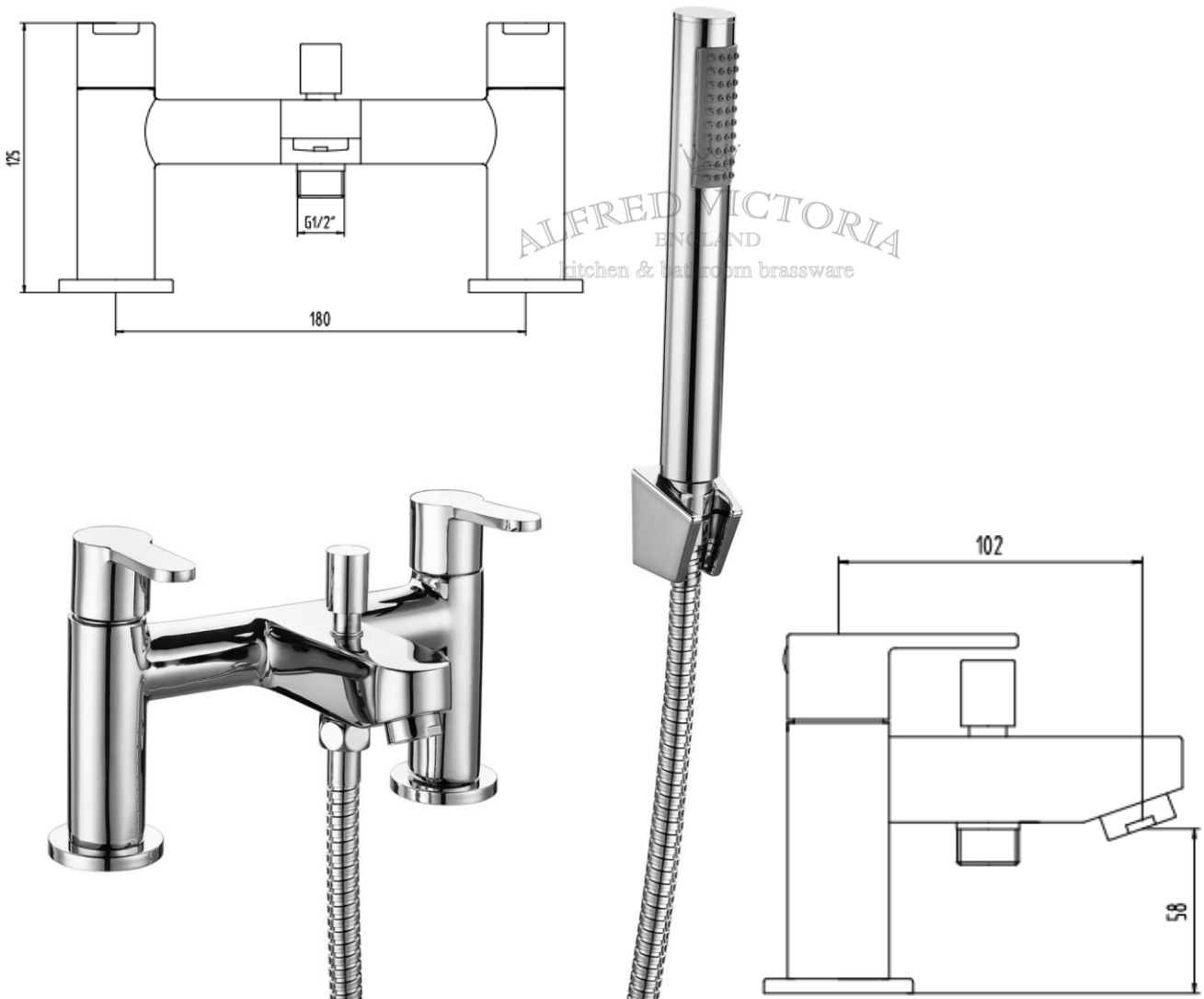


TECHNICAL DATA SHEET

SG04 Bath Shower Mixer (Inc. Shower Kits)

Barcode	729557183201
Product Code	SG04
Construction	Brass Body CuZn40Pb2, EN CW617N (equivalent to BS CZ122)
Finishes	Chrome plated to BS EN 248
Product Type	Contemporary
Water Pressure	Min. 0.2 bar, Max. 6.0 bar
Plumbing Systems	Suitable for all plumbing systems
Standards	Complies with BS5412, BS EN200
Certification	Manufactured to comply with WRAS
Cartridge	1/4 Turn 3/4" Ceramic Disc Valves
Fitting	3/4" BSP
Aerator	Laminar
Packaging	49.5 x 42 x 33cm / carton (8 boxes / carton)
Guarantee	10 years against manufacturing faults (excluding serviceable parts).
Additional Information	Supplied with 1.5m hose, wall bracket and single mode ABS handset

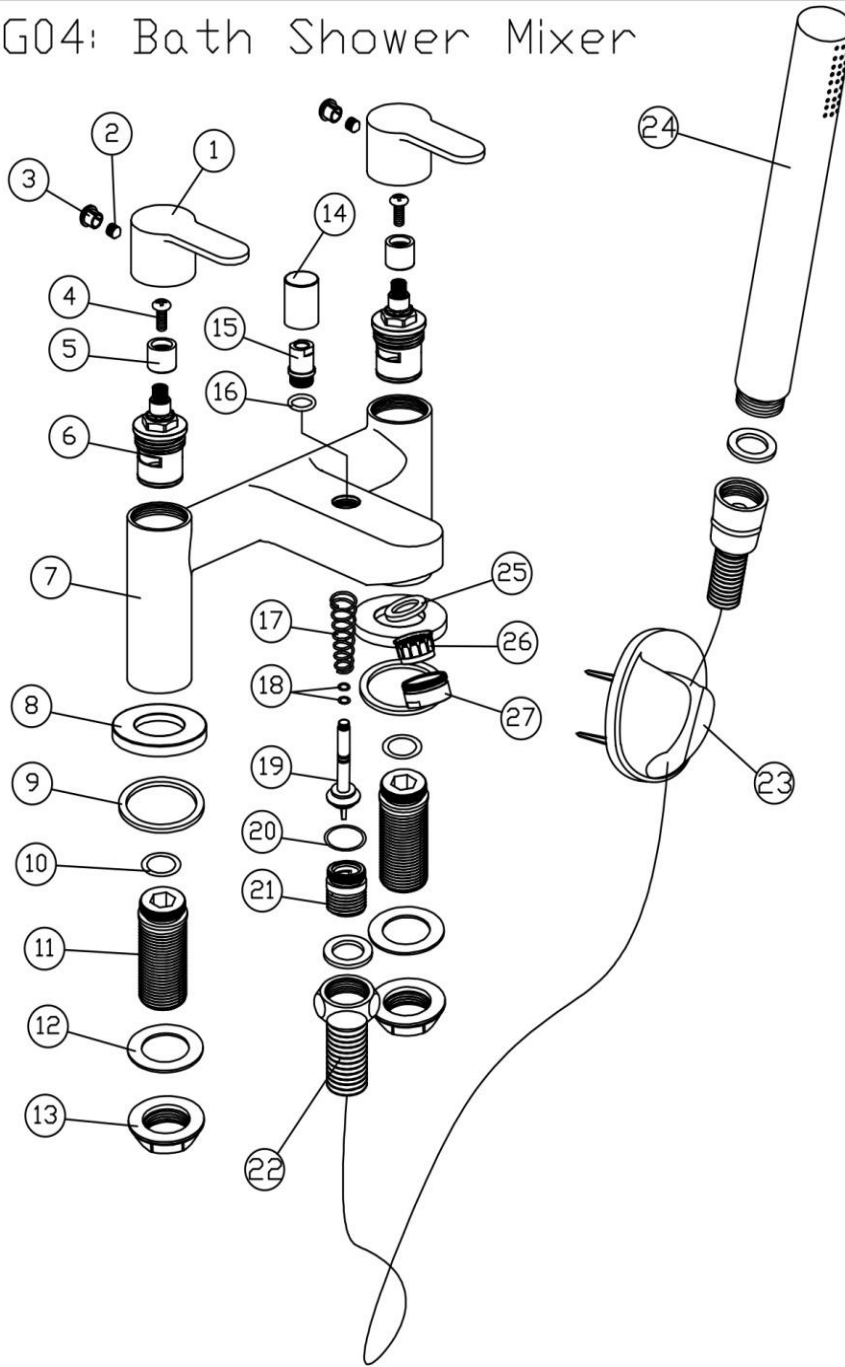


Flow Rates (Litres per minute)

System Pressure	0.1 Bar	0.2 Bar	0.3 Bar	0.5 Bar	1.0 Bar	1.5 Bar	2.0 Bar	3.0 Bar	4.0 Bar	5.0 Bar
SG04	4.00	7.10		11.20	17.20	22.00	26.30	34.00	-	-

The information contained on this page was correct at date of issue. Fitting dimensions are provided as a guide only. Some variation may occur due to manufacturing tolerances. We pursue a policy of continuing improvement in design and performance of our products and so reserve the right to change specifications without prior notice.

SG04: Bath Shower Mixer



No.	Code	Description	Qty
1	SG04-01	Handle	2
2	SG04-02	M5#6 Screw	2
3	SG04-03	Plastic Badge	2
4	SG04-04	M4#9 Screw	2
5	SG04-05	PVC Core	2
6	SG04-06	3/4" Cartridge	2
7	SG04-07	Body	1
8	SG04-08	Base Plate	2
9	SG04-09	46x38x2.5 Rubber Washer	2
10	SG04-10	24x2.4 O-Ring	2
11	SG04-11	3/4" BSP Tails	2
12	SG04-12	3/4" Rubber Washer	2
13	SG04-13	Plastic Back Nut	2
14	SG04-14	Diverter Cap	1
15	SG04-15	Connector	1
16	SG04-16	12x2 O-Ring	1
17	SG04-17	Spring	1
18	SG04-18	7x1.6 O-Ring	2
19	SG04-19	Diverter Core	1
20	SG04-20	20x2 O-Ring	1
21	SG04-21	Hose Connector	1
22	SG04-22	150CM Flexible Hose	1
23	SG04-23	Bracket	1
24	SG04-24	Handhold Shower	1
25	SG04-25	23x15x3 Rubber Washer	1
26	SG04-26	Neoperl Aerator	1
27	SG04-27	Nozzle	1

Alfred Victoria Exploded Drawings			Material:	Assembly	Size:	A4
			Scale:	None	Issue No:	01
Drawn by:	Sherman	16/05/2016				
Checked by:	Lee	16/05/2016				
Approved by:	T. K.	16/05/2016				
Drawing Name:						